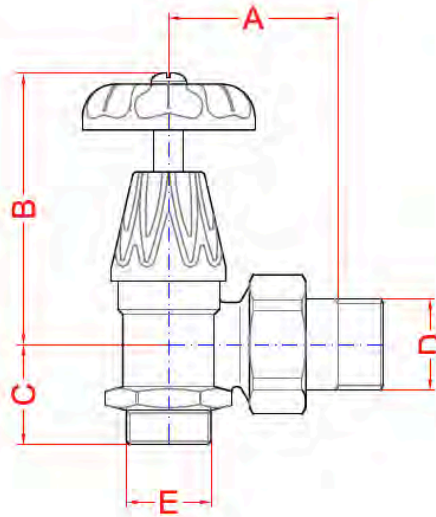
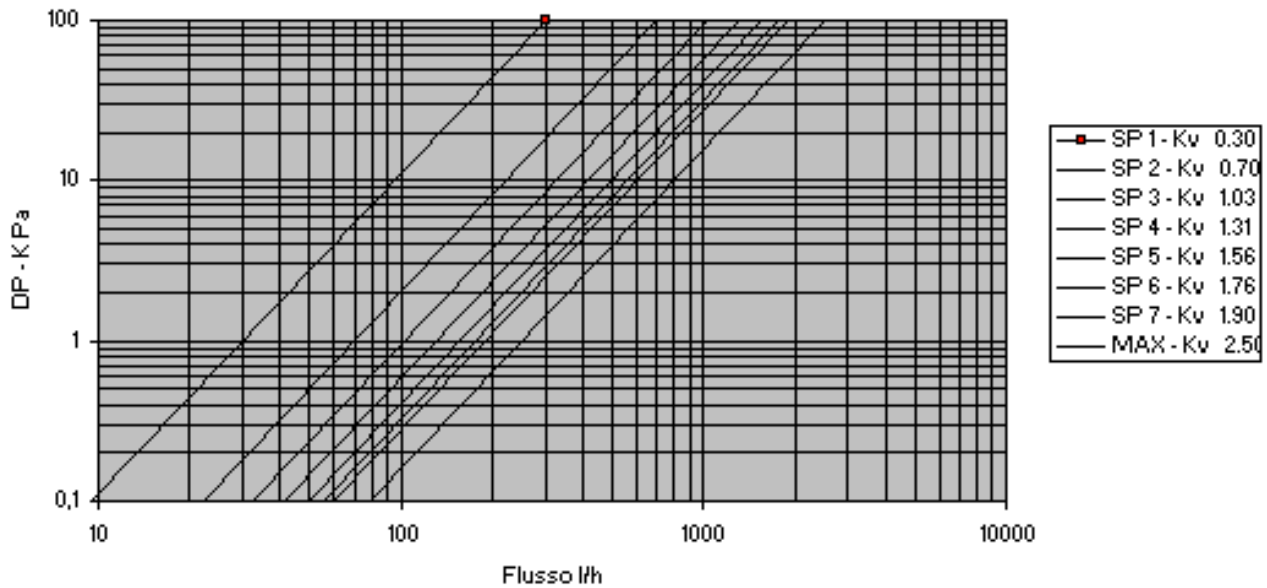



 LaurenS[®]

| General parameters | |
|--------------------------|-------------------------|
| Max. working pressure | 10 bar |
| Max. working temperature | 100°C |
| Body material | brass EN 12165-CW617N |
| Connection | copper or plastic pipes |

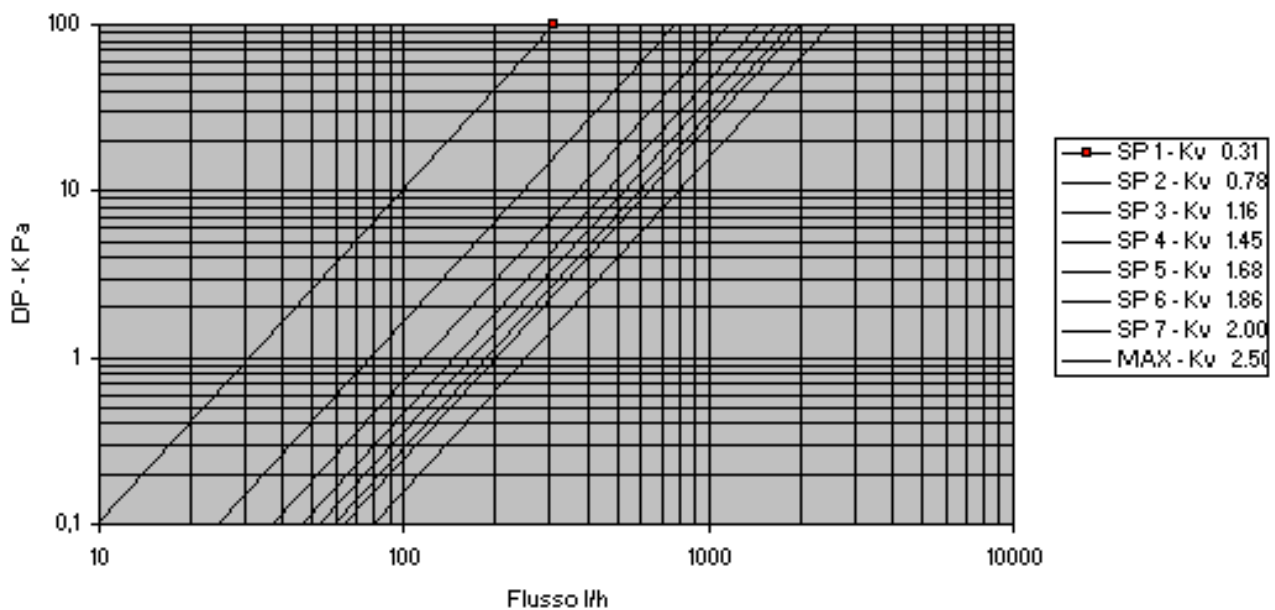


| Codice | D | A | B | C | E |
|--------|------|----|----|------|-------|
| VLAD | 1/2" | 55 | 72 | 28.5 | 24-19 |

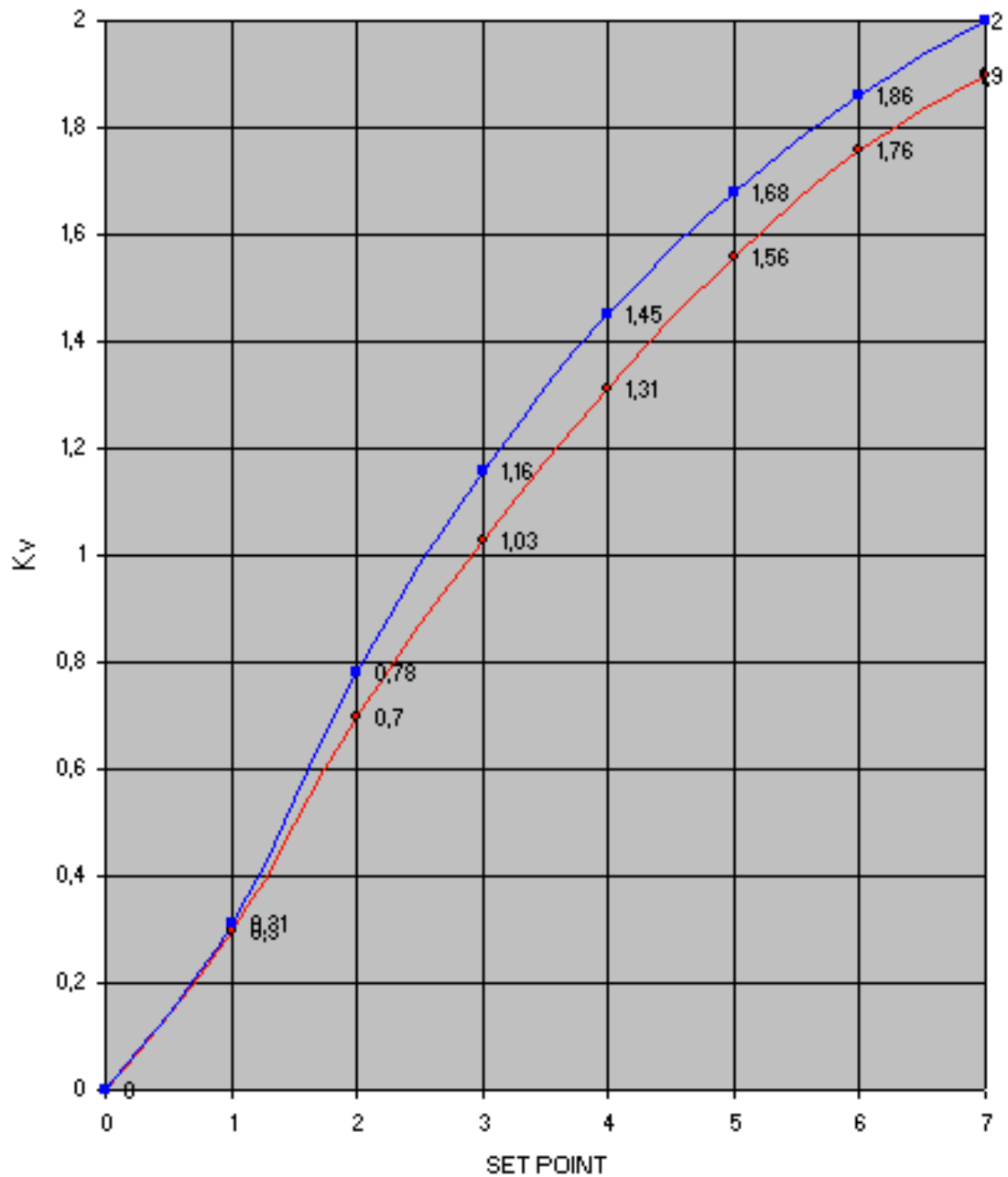
PD diagram for **Fleurielle** valve - normal

| set-point | 1 | 2 | 3 | 4 | 5 | 6 | 7 | max | | | DP | rad. DP |
|-------------|------|-------|--------|-------|--------|--------|------|------|--|--|-----|---------|
| 0.1K Pa l/h | 9,80 | 24,65 | 36,656 | 45,82 | 53,088 | 58,776 | 63,2 | 79 | | | 0,1 | 31,6 |
| 10K Pa l/h | 310 | 780 | 1160 | 1450 | 1680 | 1860 | 2000 | 2500 | | | 100 | 1000 |
| Kv | 0,31 | 0,78 | 1,16 | 1,45 | 1,68 | 1,86 | 2 | 2,5 | | | | |

PD diagram for ArtDeco valve - reverse



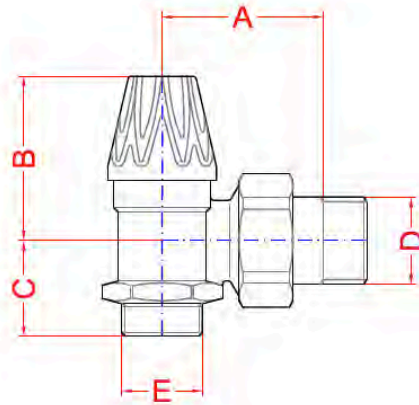
| set-point | 1 | 2 | 3 | 4 | 5 | 6 | 7 | max | | | DP | rad. DP |
|-------------|------|-------|--------|--------|--------|--------|-------|------|--|--|-----|---------|
| 0.1K Pa l/h | 9,48 | 22,12 | 32,548 | 41,396 | 49,296 | 55,616 | 60,04 | 79 | | | 0,1 | 31,6 |
| 10K Pa l/h | 300 | 700 | 1030 | 1310 | 1560 | 1760 | 1900 | 2500 | | | 100 | 1000 |
| Kv | 0,3 | 0,7 | 1,03 | 1,31 | 1,56 | 1,76 | 1,9 | 2,5 | | | | |

KV diagram for **Fleurielle valve**

| set-point | 0 | 1 | 2 | 3 | 4 | 5 | 6 | 7 | MAX. |
|-------------------|---|------|------|------|------|------|------|-----|------|
| Kv normale | 0 | 0,3 | 0,7 | 1,03 | 1,31 | 1,56 | 1,76 | 1,9 | 2,5 |
| Kv reverso | 0 | 0,31 | 0,78 | 1,16 | 1,45 | 1,68 | 1,86 | 2 | 2,5 |


 Laurens[®]

| General parameters | |
|--------------------------|-------------------------|
| Max. working pressure | 10 bar |
| Max. working temperature | 100°C |
| Body material | brass EN 12165-CW617N |
| Connection | cooper or plastic pipes |



| Codice | D | A | B | C | E |
|--------|------|----|----|------|-------|
| VLAD | 1/2" | 55 | 49 | 28.5 | 24-19 |

Technical features

| Identification | number of spindle turn | Kv |
|----------------|------------------------|------|
| Square valve | 1/2" | 0.51 |
| | 1 | 1.69 |
| | 1 1/2" | 2.20 |
| | open | 2.70 |

PD diagram for **Fleurielle** valve

