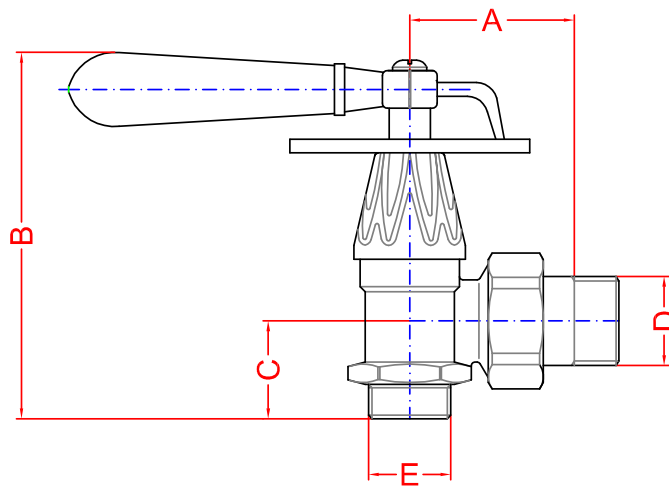


Technical Datasheet

Valve Liberty



General parameters	
Max. working pressure	10 bar
Max. working temperature	100°C
Body material	brass EN 12165-CW617N
Connection	1/2" x M24



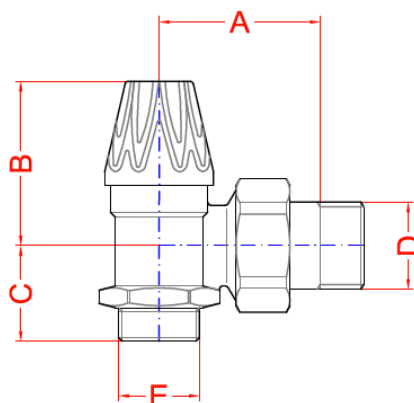
Codice	D	A	B	C	E
VLIB	1/2"	55	105	28.5	24-19

Technical features

Identification	number of spindle turn	Kv
Square valve	1/2"	0.51
	1	1.69
	1 1/2"	2.20
	open	2.70

Technical Datasheet
Return valve Liberty |


General parameters	
Max. working pressure	10 bar
Max. working temperature	100°C
Body material	brass EN 12165-CW617N
Connection	1/2" x M24



Codice	D	A	B	C	E
VLIB	1/2"	55	49	28.5	24-19

Technical features

Identification	number of spindle turn	Kv
Square valve	1/2"	0.51
	1	1.69
	1 1/2"	2.20
	open	2.70