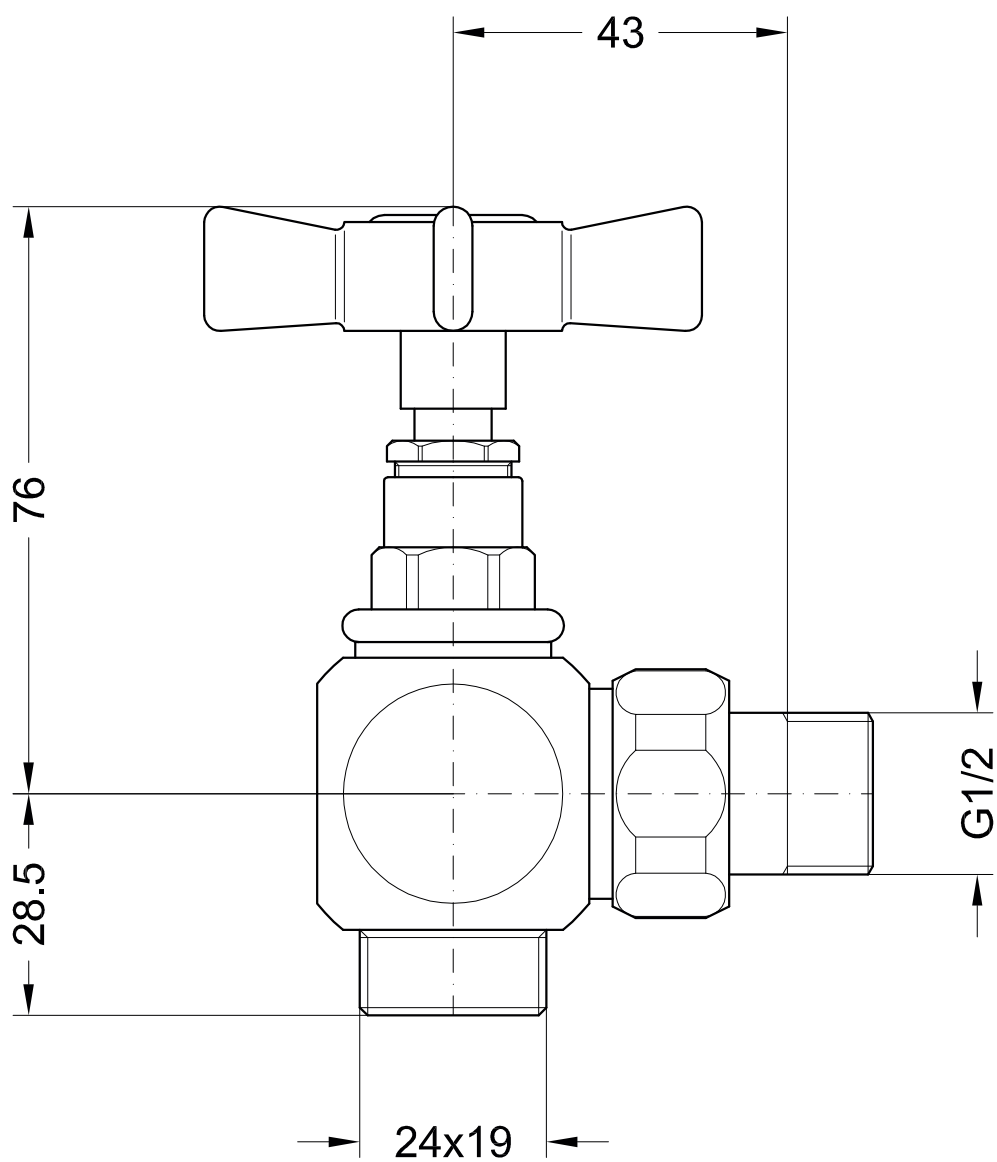


anged
| manual non thermostatic



Straight
| manual non thermostatic

