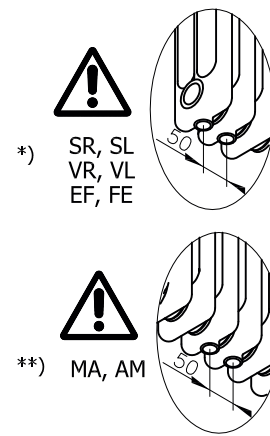
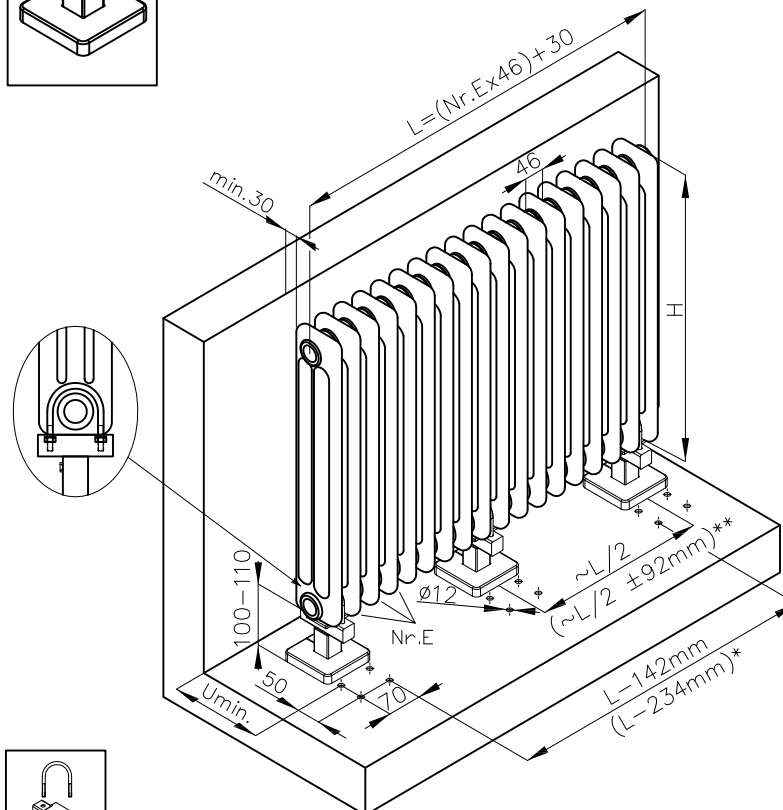
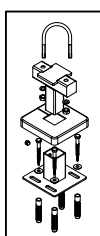


L < 1 m - 3x
L > 1 m - 4x



L < 1 m - 2x
L > 1 m - 3x



1x	1x	2x	2x	1x	1x	4x	4x	1x

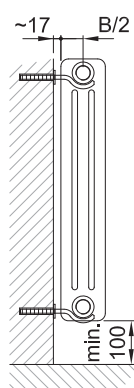
Atol	C2	C3	C4	C5	C6
Umin.[mm]	28	49	69	90	110



W - mounting on walls made of solid material

Designed for mounting ATOL units on walls made of solid bricks, blocks or cast concrete. The wall must comply with the minimum thickness requirements.

Number of columns	Radiator length	Number of hooks
4-21	214 - 996 mm	3
22-48	1 042 - 2 238 mm	4
49-60	2 284 - 2 790 mm	5



F - Floor mounting

Stands designed to anchor the radiator to the floor. The radiator is fixed to the stands using clamps. Additional wall fastening is recommended (e.g. the W brackets) for higher radiators to prevent the floor anchoring from breaking.

Number of columns	Radiator length	Number of stands
4-21	214 - 996 mm	2
22-48	1 042 - 2 238 mm	3
49-60	2 284 - 2 790 mm	4

Plastic covers

Plastic covers are available in the following colours:

