

# Sun

Free standing electric heated towel rail.

PIPE DIMENSION: Ø25mm

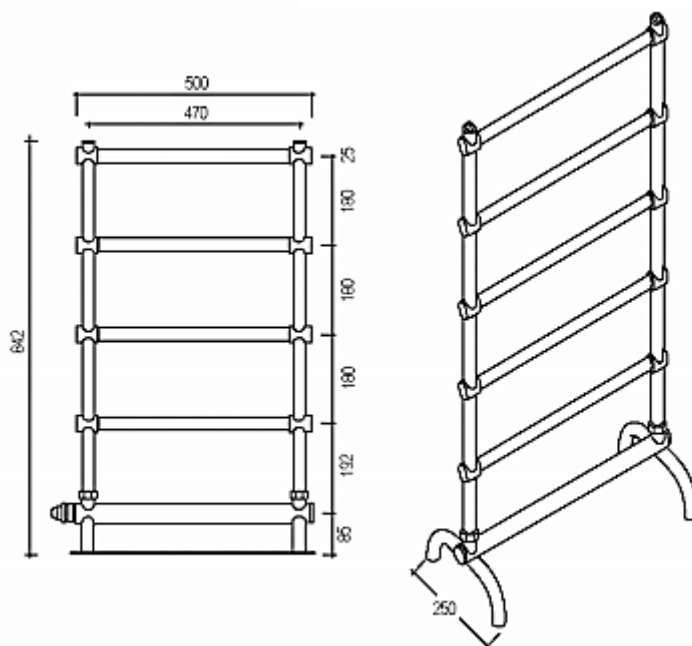
ADDITIONAL MODULE: 67mm/180mm

ELECTRIC CONNECTION: wire and schuko plug

ELECTRIC ELEMENT: cartridge heater

ON/OFF SWITCH BOX (BOX): not available

AROMATHERAPY: available



Trattamento galvanico (TG)  
Galvanic treatment (TG)  
Гальваническое покрытие (TG)

Verniciato (V)  
Vernished (V)  
Покрытие (V)

INT. (mm)	WATT	WATT	WEIGHT
-	100	150	8,6